

Cirio

Antoni Arola. 2021
Wall lamp



Lampshades:



Inspired by the majestic lamps of the Blue Mosque in Istanbul, Antoni Arola designed Cirio in 2010. Today, the family has expanded and is presented as a system which can easily be set in a variety of compositions.

The shade, beautifully designed, is reminiscent of a candle for its shape, texture and the warmth of its light. The varying shades combined with LED capsules can be used to create different atmospheres: from the porcelain of Sargadelos (Galicia, Spain) that creates candle-like warmth, to translucent opal glass, and the opaque elegance of brass.

The wall version of Cirio allows the light to be placed at a closer scale to the user. This creates a succession of rhythms that, in repetition, lead the path. The shades, in porcelain, Pana porcelain, polished brass or opal glass, are supported by an elegant and subtle aluminum line.

General description:

Black metallic structure with matte finish.

Capsule with LED module, translucent white diffuser and heat sink with black matte finish.

4 lampshade options: white porcelain, white Pana porcelain, white opal glass and polished brass.

Suitable for Outlet Box (American version).

Approximate weight (unpacked):

European version: with porcelain lampshade 1,48 kg / 3.26 lb

American version: with porcelain lampshade 1,78 kg / 3.92 lb

Lampshades:

Porcelain: 0,5 kg / 1.1 lb

Pana porcelain: 0,4 kg / 0.8 lb

Glass: 0,6 kg / 1.3 lb

Brass: 0,3 Kg / 0.7 lb

Cirio

Antoni Arola. 2021
Wall lamp

Technical information:

Dimmable light source included
Capsule with LED module

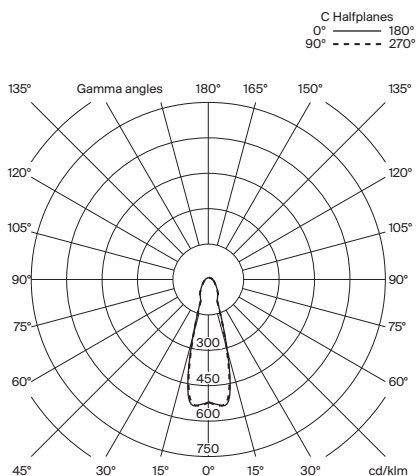
Rated input wattage: 9,2 W
Operating current: 700 mA
CCT: 2.700 K
CRI: 90
Lifetime: 40.000 h
Luminous flux:
Porcelain: 164 lm
Pana porcelain:
Glass: 486 lm
Brass: 176 lm

European version: suitable for dimming 1-10V / DALI. Not included external dimmer switch 1-10V / DALI.
American version: suitable for dimming 1-10V. Not included external dimmer switch 1-10V.

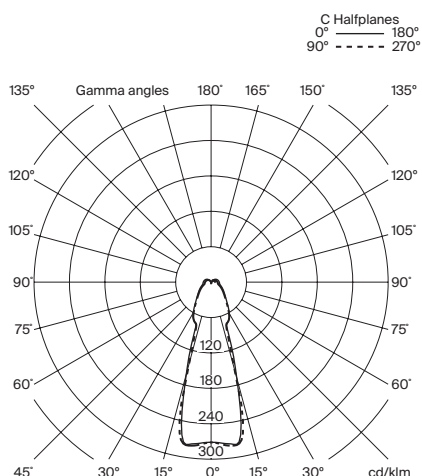
Suitable only for indoor use.
Always use this light source.

Input voltage: 90 ~ 305 Vac.
(50 Hz / 60 Hz). According to destination.

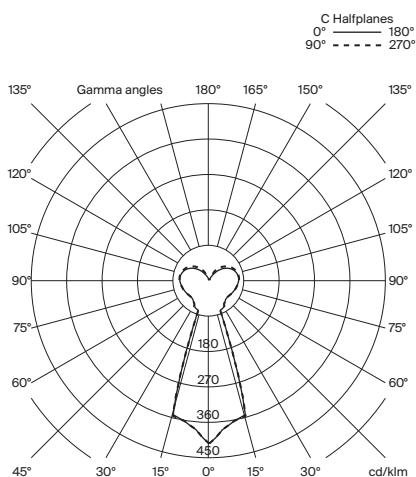
White porcelain lampshade



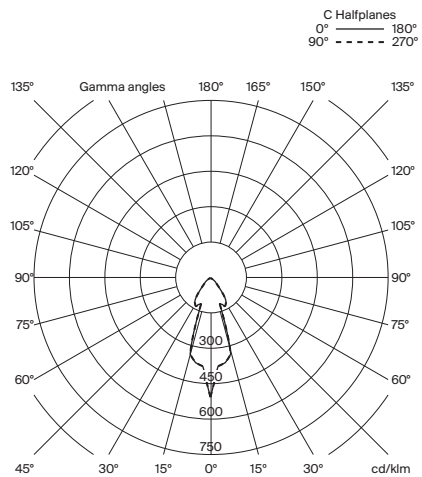
White Pana porcelain lampshade



White opal glass lampshade



Brass lampshade



Cirio

Antoni Arola. 2021
Wall lamp

Regulations:

European version
UNE-EN 60598
UNE-EN 55015
UNE-EN 60529
UNE-EN 62031
UNE-EN 61000-3-2
UNE-EN 61347-2-13

American version

Dry location
UL-1598
UL-8750
E-336377

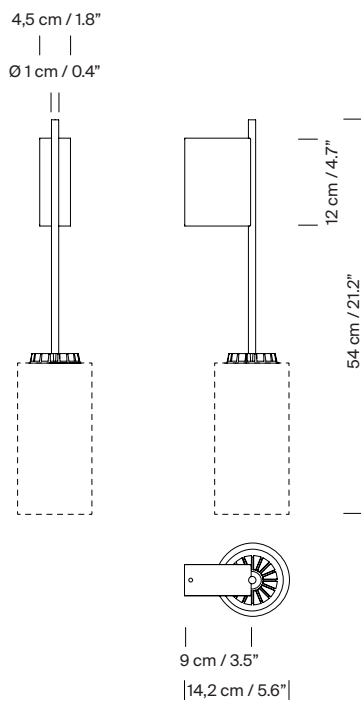
Maintenance:

Clean with a smooth cloth. Do not use ammonia, solvents or abrasive cleaning products.

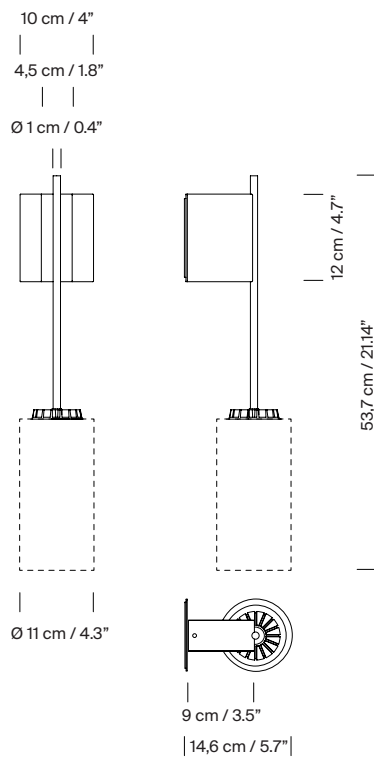
Others:

The lamp is delivered in different packages.
The assembly instructions are delivered with the product.

Model (European version):

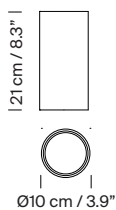


Model (American version):

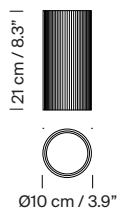


Modelo: Lampshades

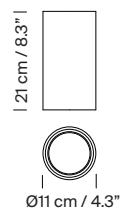
White porcelain



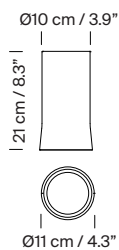
White Pana porcelain



White opal glass



Brass



Collection:
Pendant lamps



Cirio Simple



Cirio Múltiple



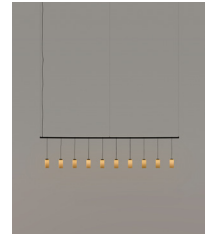
Cirio Cascada



Cirio Circular



Cirio Chandelier



Cirio Lineal

Wall lamps



Cirio Cuadrada



Cirio Pana Mayor



Cirio