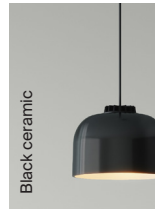


## HeadHat Bowl

Santa & Cole Team. 2013  
Pendant lamps



### Lampshades:



### Canopy:



### HeadHat Bowl S

### HeadHat Bowl L



A



B



The HeadHat Bowl series is another great example of industrial craftsmanship. Their ceramic shades are moulded manually one by one into their perfect shape; the HeadHat Bowl features an opaque density, with simple concave shapes and LED technology that provides beautiful direct light; ideal for lighting tables, reference rooms or other specific areas. Perfect for creating a warm interior.

### General description:

Capsule with LED module, translucent white diffuser and heat sink with matte black finish.

2 lampshade options: white or black ceramic shade with matte finish interior and gloss exterior.

5 metal circular canopy options with power supply incorporated:

Not dimmable (European version): white recessed or white or black surface-mounted canopy with matte finish.

Dimmable (1-10 V / DALI): white or black surface-mounted canopy with matte finish.

Electric cable length: 3 m / 118.1" - 8 m / 315"

Suitable for Junction Box (American version).

### Approximate weight (unpacked):

(A) HeadHat Bowl S: 1,1 kg / 2.4 lb

(B) HeadHat Bowl L: 1,6 kg / 3.5 lb

## HeadHat Bowl

Santa & Cole Team. 2013  
Pendant lamps

### Technical information:

Light source included.  
LED module

Not dimmable (European version):

Rated input wattage: 3,7 W  
Operating current: 350 mA  
Luminous flux: 530 lm

Dimmable:

Rated input wattage: 7,7 W  
Operating current: 700 mA  
Luminous flux: 633 lm

CCT: 2.700 K

CRI: 90

Lifetime: 40.000 h

Built-in LED.

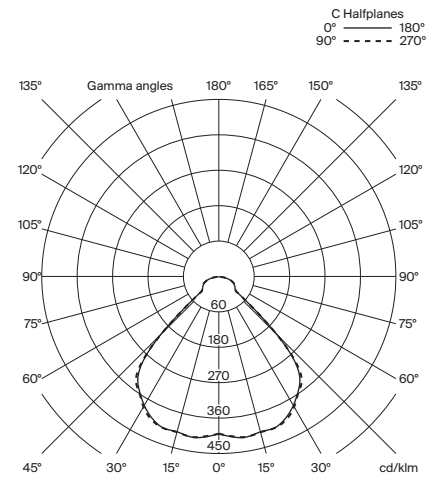
European version: suitable for dimming 1-10V / DALI. Not included external dimmer switch 1-10V / DALI.

American version: suitable for dimming 1-10V. Not included external dimmer switch 1-10V. Suitable only for indoor use.

Input voltage: 90 ~ 305 Vac.

(50 Hz / 60 Hz). According to destination.

Luminous performance with lampshade: 84,1%



### Regulations:

European version  
UNE-EN 60598  
UNE-EN 55015  
UNE-EN 62031  
UNE-EN 61000-3-2  
UNE-EN 60529  
UNE-EN 61347-2-13

American version  
Dry location only  
UL-1598  
UL-8750  
E-336377

### Maintenance:

Clean with a smooth cloth. Do not use ammonia, solvents or abrasive cleaning products.

### Others:

The lamp is delivered in different packages.

The assembly instructions are delivered with the product.

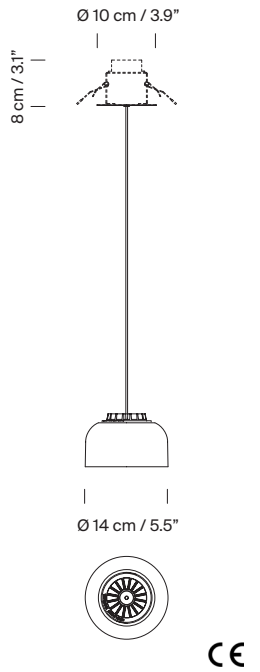
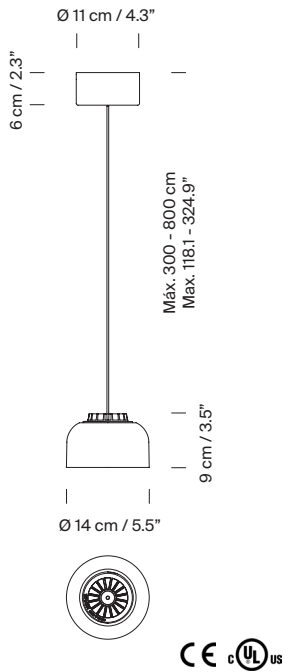
# HeadHat Bowl

Santa & Cole Team. 2013  
Pendant lamps

## Model A: HeadHat Bowl S

Surface canopy

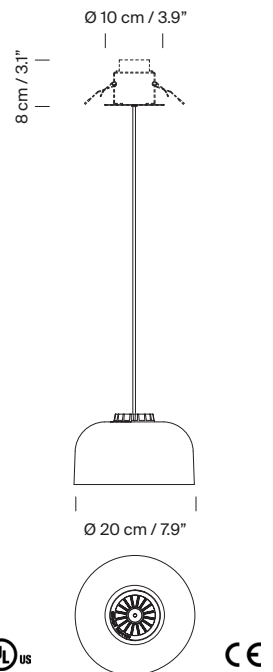
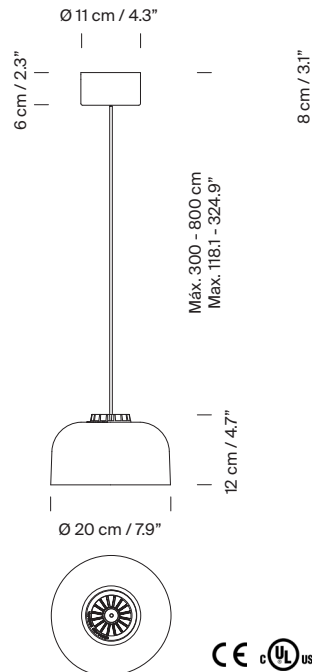
Built-in canopy  
(only European version)



## Model B: HeadHat Bowl L

Surface canopy

Built-in canopy  
(only European version)



## Collection:

Pendant lamps



HeadHat Bowl



HeadHat Plate