

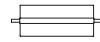
## Lámina Dorada 45

Antoni Arola. 2018  
Pendant Lamp

  
SANTA & COLE

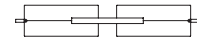


Lámina Dorada 45



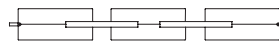
A

Sistema Lámina Dorada 45  
2 modules



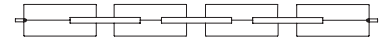
B

Sistema Lámina Dorada 45  
3 modules



C

Sistema Lámina Dorada 45  
4 modules



D



In its golden version, Lámina redefines its reflection game by flattening its arc and changing the colour of its lampshade, generating new concavities that are visible to the eye. A variation with totemic evocations that illuminates with surprising quality.

### General description:

Metallic flat shade with gold finish.  
Black metal structure with matte finish.  
Polycarbonate diffuser.  
Electric cable length: 5 m / 196.9"

### Approximate weight (unpacked):

(A) Lámina Dorada 45: 2,1 Kg / 4.6 lb  
(B) Sistema Lámina Dorada 45 - 2 modules: 4 Kg / 8.8 lb  
(C) Sistema Lámina Dorada 45 - 3 modules: 7 Kg / 15.4 lb  
(D) Sistema Lámina Dorada 45 - 4 modules: 10 kg / 22 lb

### Technical information:

Light source included (dimmable).

(A) LED module  
Rated input wattage: 18 W  
Operating current: 750 mA  
Luminous flux: 368 lm

(B) LED module  
Rated input wattage: 31 W  
Operating current: 750 mA  
Luminous flux: 736 lm

(C) LED module  
Rated input wattage: 49 W  
Operating current: 750 mA  
Luminous flux: 1104 lm

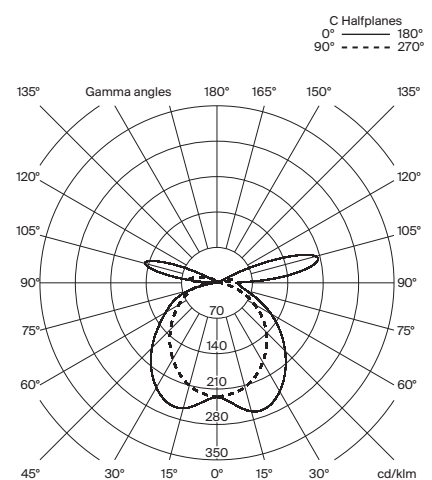
(D) LED module  
Rated input wattage: 67 W  
Operating current: 750 mA  
Luminous flux: 1472 lm

CCT: 2.700K  
CRI: 90  
Lifetime: 40.000 h

Built-in LED.  
European version: suitable for dimming  
0-10V / DALI. Not included external dimmer  
switch 0-10V / DALI.  
American version: suitable for dimming  
1-10V. Not included external dimmer switch  
1-10V.

Suitable only for indoor use.  
Always use this light source.

Input voltage: 100 ~ 277 Vac.  
(50 Hz / 60 Hz). According to destination.



# Lámina Dorada 45

Antoni Arola. 2018  
Pendant Lamp

## Normativas:

European version  
UNE-EN 60598  
UNE-EN 55015  
UNE-EN 60529

American version

UL-1598  
UL-8750  
E-336377  
Dry location only

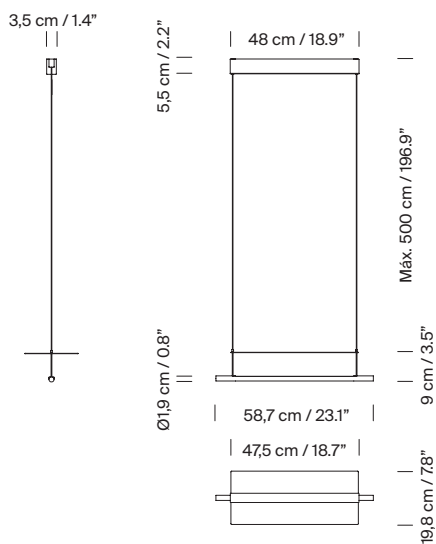
## Maintenance:

Clean with a smooth cloth. Do not use ammonia, solvents or abrasive cleaning products.

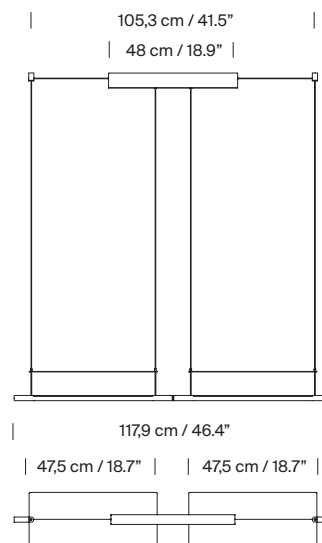
## Others:

The lamp is delivered in different packages (**B, C, D**).  
The assembly instructions are delivered with the product.

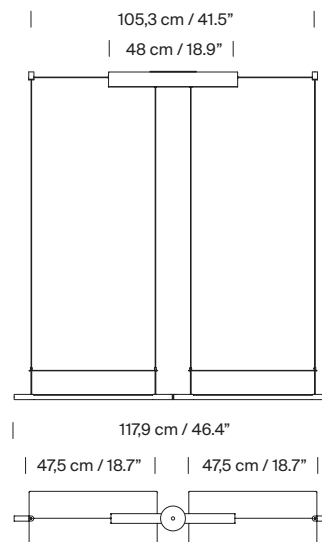
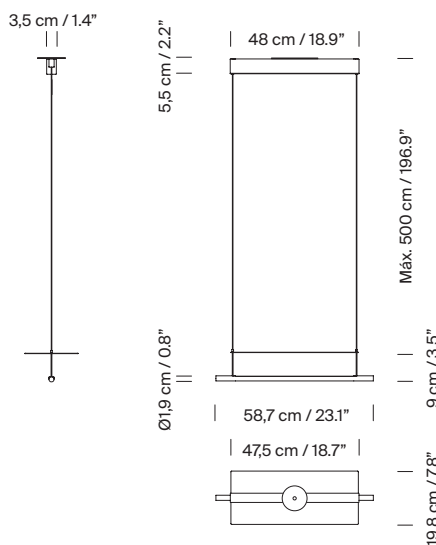
### Model A: Lámina Dorada 45



### Model B: Sistema Lámina Dorada 45 2 módulos



CE



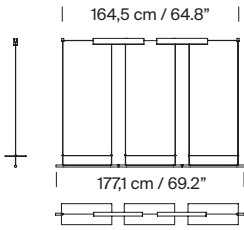
UL US

## Lámina Dorada 45

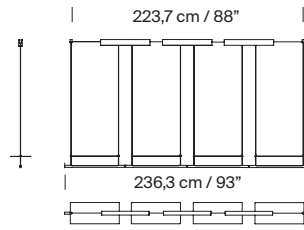
Antoni Arola. 2018  
Pendant Lamp

### Examples of composition

#### 3 modules (A + B)



#### 4 modules (A + 2B)



### Collection:

Table lamps

Floor lamps

Pendant lamps

Wall lamps



Lámina Dorada 45



Lámina Dorada 45

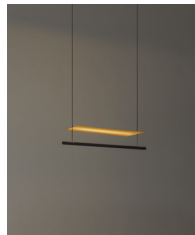


Lámina Dorada 45



Lámina Dorada 45