

Nimba

Antoni Arola. 1997
Pendant lamps



Nimba 60



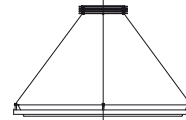
A

Nimba 90



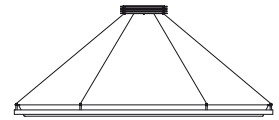
B

Nimba 120



C

Nimba 180



D



Nimba is the first lamp designed by Antoni Arola at the end of the 90s, as one of the first luminous halos on the market. It is a floating ring formed by a metal profile, and an inner shade that diffuses the light. The lamp's name is inspired by "the nimbus or halo around holy images, which can be seen, but is not there". Nimba shines light on the centre of nowhere to radiate out in all directions.

Used as a single unit or in sequence, Nimba provides the perfect amount of soft light to create a mythical atmosphere, suitable for both transit spaces and secluded areas. The family features four LED lamp models in different diameters, seamlessly fusing simplicity and high-technology.

General description:

Stainless steel structure with natural or gold varnish finish.

White PVC lampshade.

Black metallic circular canopy with power supply incorporated.

Suitable for Junction Box (UL market).

Electric cable length: 5 m / 196.8"

Approximate weight (unpacked):

(A) Nimba 60: 7,4 Kg / 16.3 lb

(B) Nimba 90: 9,5 Kg / 20.9 lb

(C) Nimba 120: 12,6 Kg / 27.8 lb

(D) Nimba 180: 17 Kg / 37.5 lb

Nimba

Antoni Arola. 1997
Pendant lamps

Technical information:

Light source included (dimmable).
LED Module

(A) Nimba 60:

Rated input wattage: 45 W
Luminous flux: 1944 lm

(B) Nimba 90:

Rated input wattage: 65 W
Luminous flux: 2754 lm

(C) Nimba 120:

Rated input wattage: 95 W
Luminous flux: 3889 lm

(D) Nimba 180:

Rated input wattage: 140 W
Luminous flux: 5833 lm

Operating voltage: 24 VDC

Colour Temp.: 2.700 K

CRI: 90

Lifetime: 40.000 h

Built-in dimmable LED.

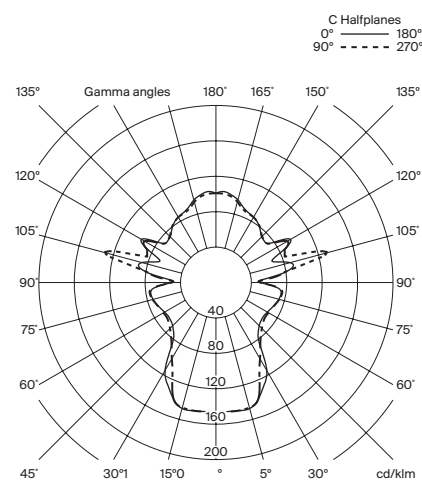
Energy efficiency class (E.E.C): A++... A.

Suitable for dimming 1-10V / DALI. (Not included external dimmer switch 1-10V / DALI).

Lamp suitable only for indoor use.

Input voltage: 100 ~ 240 Vac.

(50 Hz / 60 Hz). According to destination.



Regulations:

CE

UNE-EN 60598

UNE-EN 55015

UNE-EN 62031

UNE-EN 61000-3-2

UNE-EN 60529

UNE-EN 61347-2-13

UL

Dry location only

UL-1598

UL-8750

E-336377

Maintenance:

Clean with a smooth cloth. Do not use ammonia, solvents or abrasive cleaning products.

Others:

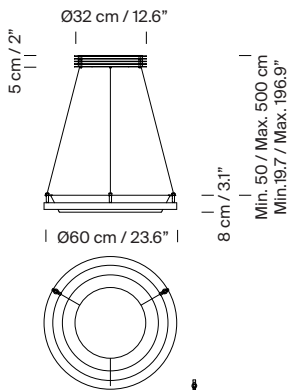
The lamp is delivered in different packages.

The assembly instructions are delivered with the product.

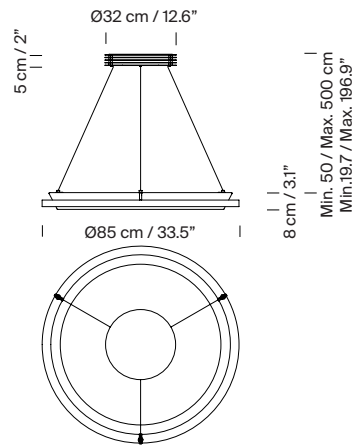
Nimba

Antoni Arola. 1997
Pendant lamps

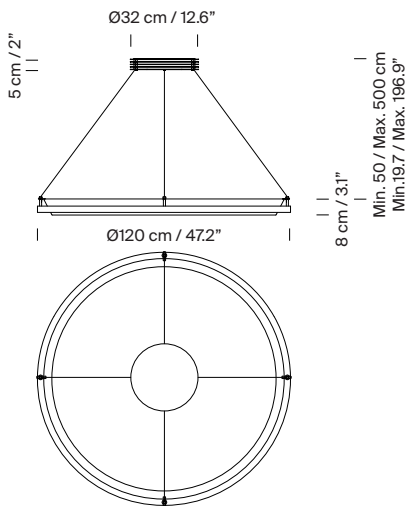
Model A: Nimba 60



Model B: Nimba 90



Model C: Nimba 120



Model D: Nimba 180

